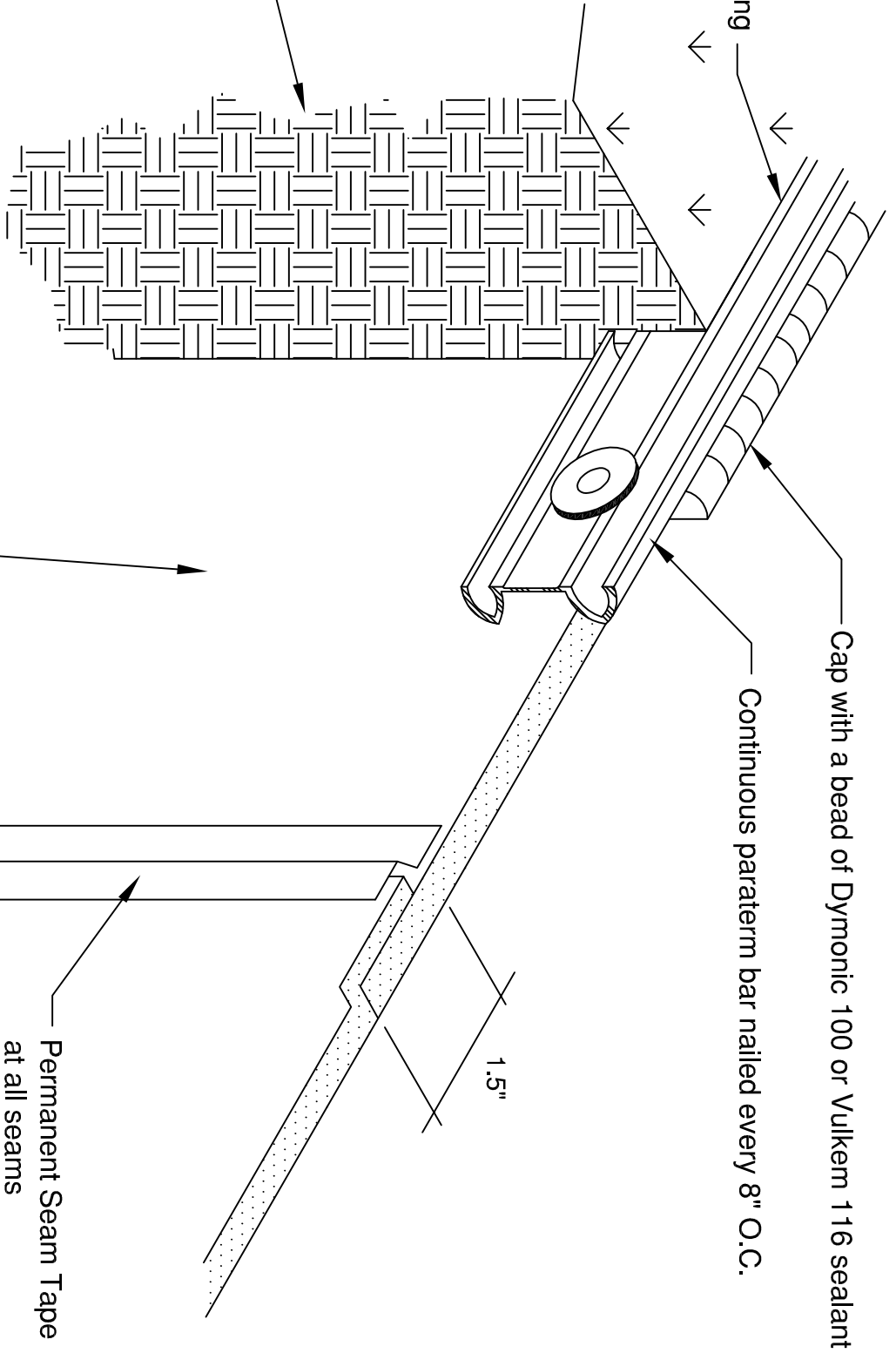


Finish grade should occur at or below Paraseal waterproofing

Earth backfill minimum 24 psf compaction is required

Paraseal membrane with HDPE side facing installer



Note: Paraseal products require a minimum 24 psf compaction/ confinement to be effective.

This detail is intended for conceptual purposes only. Detail must be reviewed by a project/design professional. See www.tremcosealants.com for the most up-to-date product information.

Rev	Date	Description	By
1	10/10/2013	Update Detail	KAB

TREMCO
www.tremcosealants.com
3735 Green Road * Beachwood, OH 44122
Phone : 866-209-2404 * Fax: 216-766-5535

Project: Backfilled Walls
Detail: Typical Grade Line Termination
Drawn by: KT Checked by: WH Scale: None

Sheet Number:
Date: 7/31/2009

File Name:
10836

Rev #
1