

Rev #
00

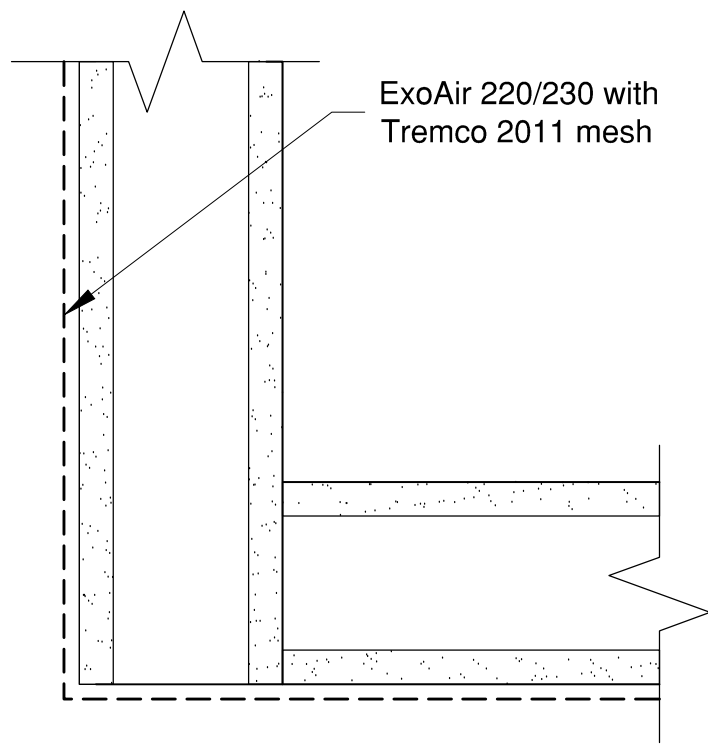
File Name:
13461

Sheet Number:
Date: 07/21/2014

Detail: Inside/Outside Corners- Permeable Fluid
(Exterior Sheathing)
Drawn by: KAB Checked By: SDM Scale: None

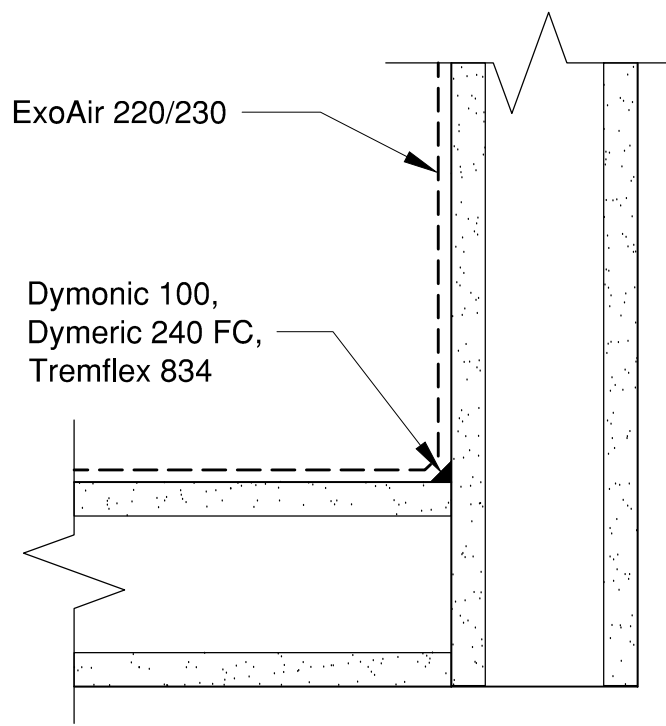
TREMCO
www.tremcosealants.com
3735 Green Road • Beachwood, OH 44122
Phone : 866-209-2404 • Fax: 216-766-5535

Outside Corner



ExoAir 220/230 with
Tremco 2011 mesh

Inside Corner



ExoAir 220/230

Dymonic 100,
Dymeric 240 FC,
Tremflex 834

This detail is intended for conceptual purposes only. Detail must be reviewed by a project/design professional.
See www.tremcosealants.com for the most up-to-date product information

| Rev | Date | Description | By |
|-----|------|-------------|----|
| - | - | - | - |