

Nylon Zip Tie or S.S. Clamp

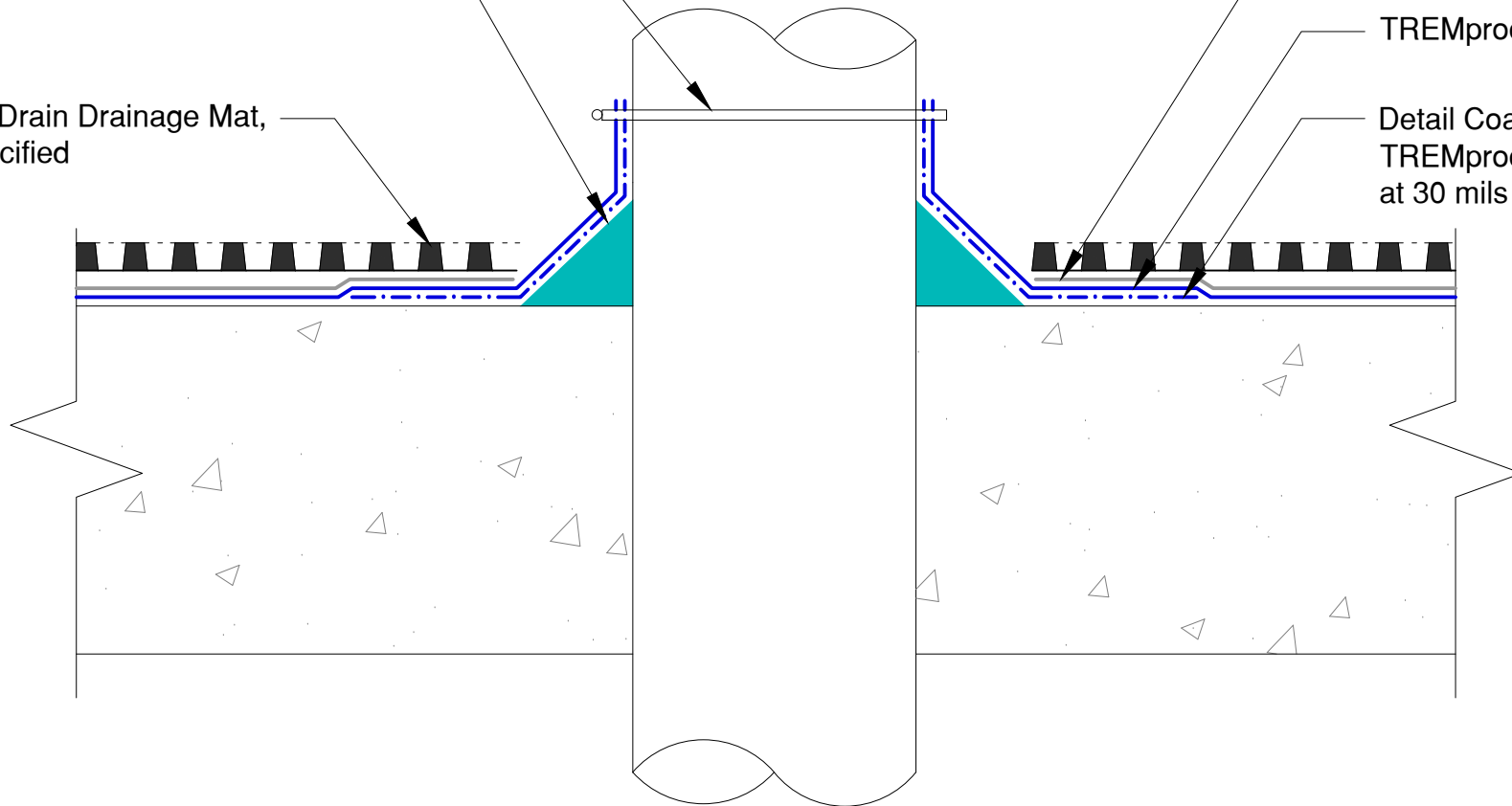
1x1" Cant of Dymonic 100,
Tremco approved sealant, or
trowel grade of TREMproof 201/60

TREMDrain Drainage Mat,
as specified

Tremco Protection
Course

TREMproof 201/60

Detail Coat of
TREMproof 201/60
at 30 mils



TREMCO

www.tremcosealants.com

3735 Green Road * Beachwood, OH 44122
Phone : 866-209-2404 * Fax: 216-766-5535

Detail: Penetration in TREMproof 201/60

Sheet Number:

File Name:

C-201 60-P-02

This detail is intended for conceptual purposes only.

Drawn by: KAB

Checked by: WH

Scale: None

Date: 7/26/2018